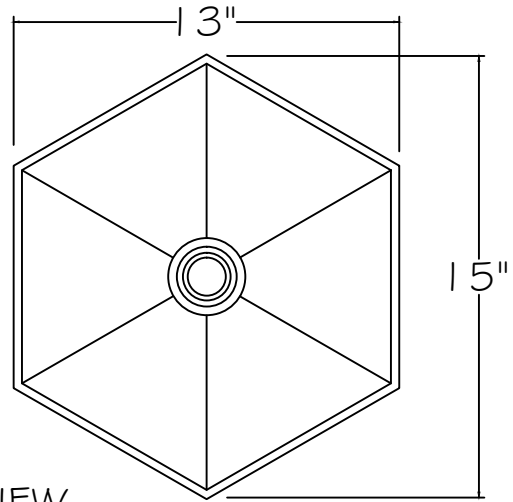
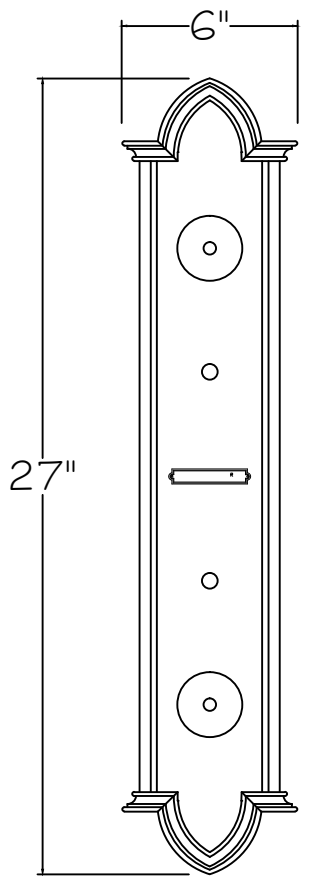


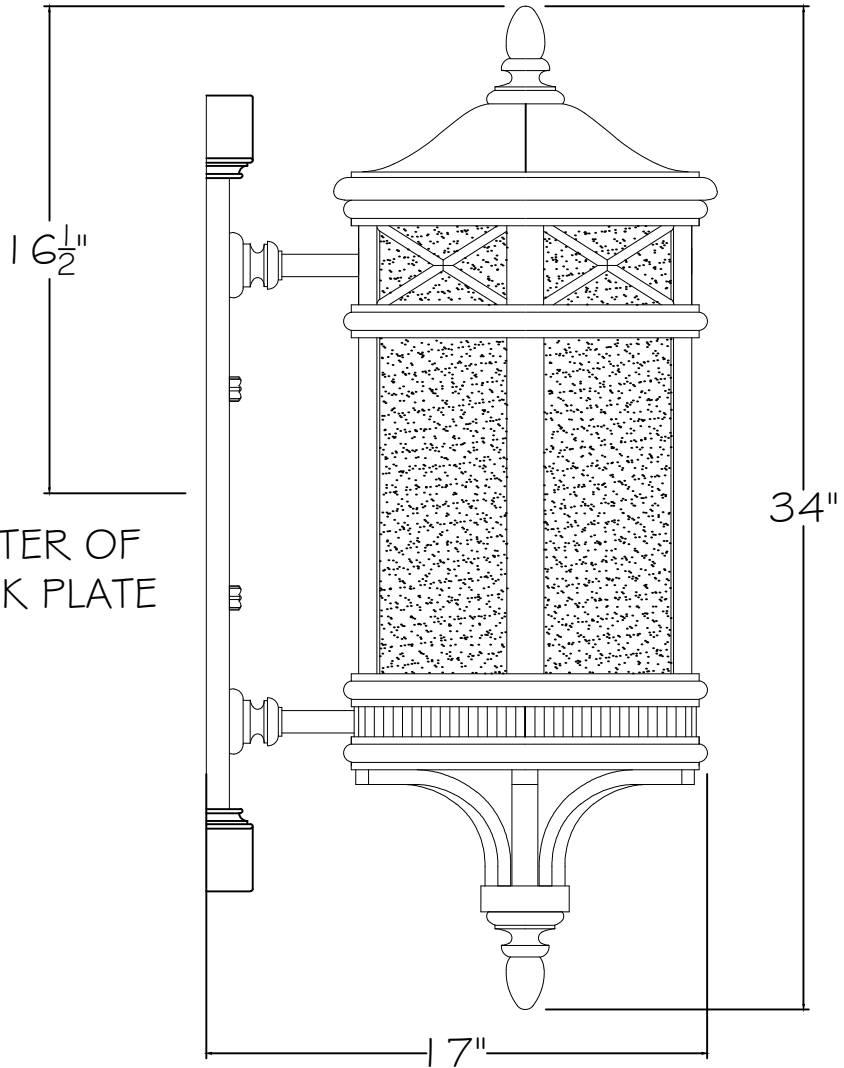
CUSTOMER REFERENCE DRAWING



TOP VIEW



BACK PLATE



FRONT VIEW

CENTER OF
BACK PLATE