



## Features

- Integrated heat sink for superior longevity
- Excellent color rendering (91+ CRI)
- 4000K color temperature
- High performance downlight emits 3300 lumens using 42 watts
- Remote driver/hardwire junction box
- Spring loaded mounting clips for easy installation
- Rough-in plate available for new construction
- Type IC and cETLus Listed for wet locations
- 50,000 hours rated life
- ENERGY STAR pending

## Available Finishes



Alzak

## Dimming Options

- 0-10V (120-277V)

## Listing / Ratings

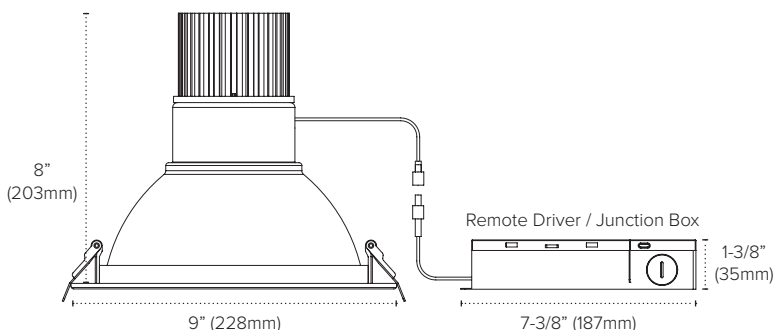


## EPIQ MAG 8 Downlight

Deep regression, an Alzak multiplier and a 40° shield angle provide high visual comfort while delivering 3300 lumens. The remote driver/hardwire box features 120-277V AC input, 0-10V dimming, tool-free access and 1/2" knockouts. Also included are steel spring clips and a convenient cut-out template. EPIQ Mag 8 is suitable for retrofit, remodel or new construction in wet locations and/or in direct contact with insulation. Rough-in plate is available (sold separately) for new construction use.

## Technical Information

Series	EM8
Input Voltage	120-277V AC
CCT	4000K
CRI	91+
Wattage	42W
Lumens	3300Lm
Beam Angle	27°
Dimmable	0-10V Dimming
Mounting	Recessed mount (8.5" Cut-out Dia.)
Rating	cETLus Listed; Type IC; Suitable for wet locations
Rated Life	50,000 hrs



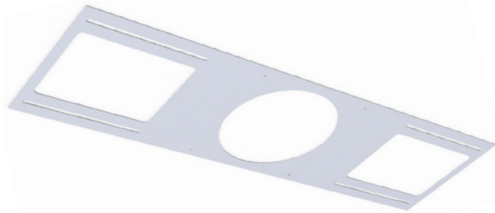
# EPIQ MAG 8 Downlight



Alzak Multiplier  
**EM8-40-AZ**  
120-277V AC / 4000K / 3300Lm

TRULUX LIGHTING SYSTEMS  
TASK LIGHTING  
**EPIQ MAG 8**  
DOWNLIGHTING  
LINEAR LIGHTING  
ARCHITECTURAL LIGHTING  
POWER SUPPLIES

# EPIQ MAG 8 Accessories



8" Rough-in Plate  
**RP-EM8**



8-10" Extender Ring  
8.25" inner dia. / 11" outer dia.  
**EM8-RING**