

**SAFETY INFORMATION**

Please read and understand this entire manual before attempting to assemble, install or operate the product.

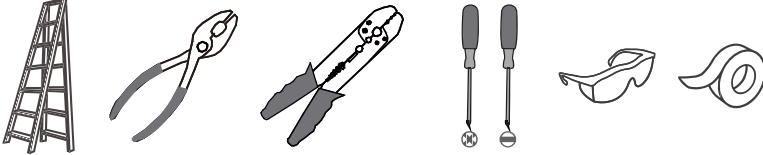
**WARNING**

- RISK OF ELECTRIC SHOCK - Before beginning installation, turn off electricity at the circuit breaker box or the main fuse box.
- RISK OF FIRE - Use bulbs specified by the markings and/or labels on the fixture.

**CAUTION**

- For your safety, read instructions completely before beginning installation.
- If in doubt about electrical installation, consult a licensed electrician.
- Turn off electricity to fixture before replacing the bulb(s).

**TOOLS REQUIRED**

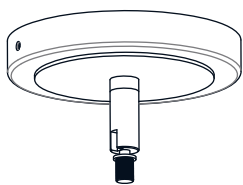


**CARE AND MAINTENANCE**

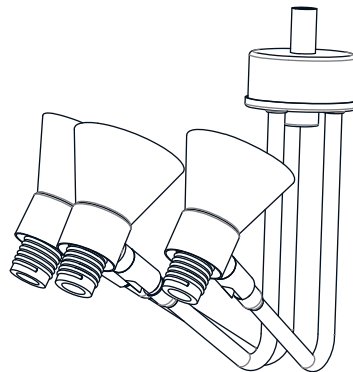
- Wipe clean using soft, dry cloth or static duster. Always avoid using harsh chemicals and abrasives to clean fixture as they may damage the finish.

If you need further assistance call Quoizel Customer Care at 1-800-645-3184 (9:00am - 5:00pm EST), or visit us on-line at [www.quoizel.com](http://www.quoizel.com).

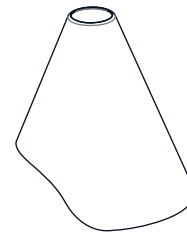
**PACKAGE CONTENTS**



**A** Ceiling Canopy  
x 1



**D** Fixture Body  
x 1



**F** Shade  
x 3



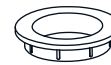
**B** 12"L Rod  
x 2



**C** 6"L Rod  
x 2

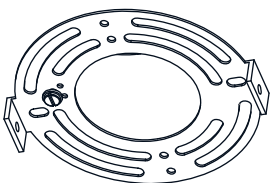


**E** Steel Collar  
[pre-assembled  
to Fixture Body]  
x 3



**G** Socket Collar  
[pre-assembled  
to Fixture Body]  
x 3

**MOUNTING HARDWARE**



**AA** Crossbar  
x 1



**BB** Mounting Screw  
x 2



**CC** Wire Connector  
x 3



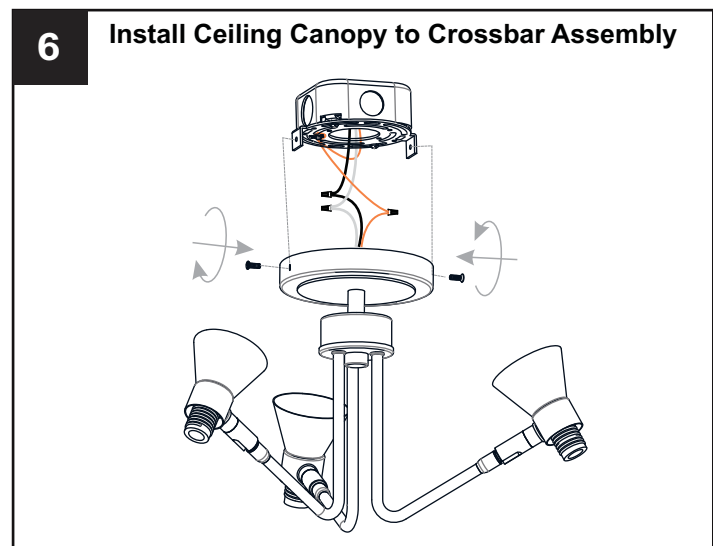
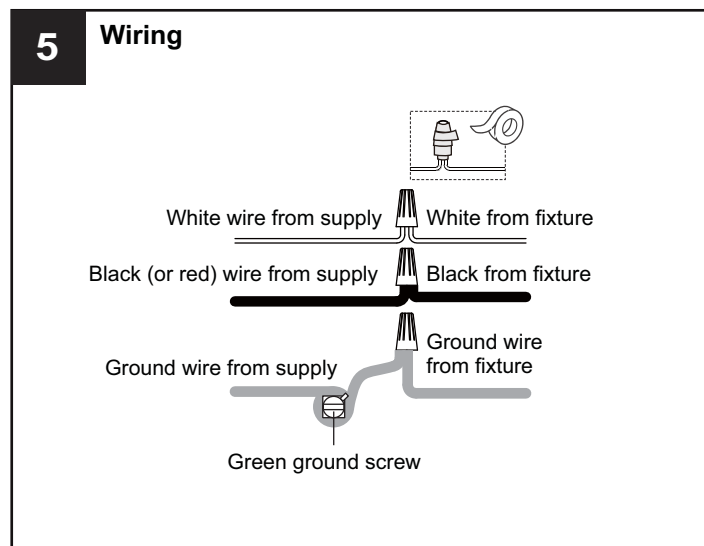
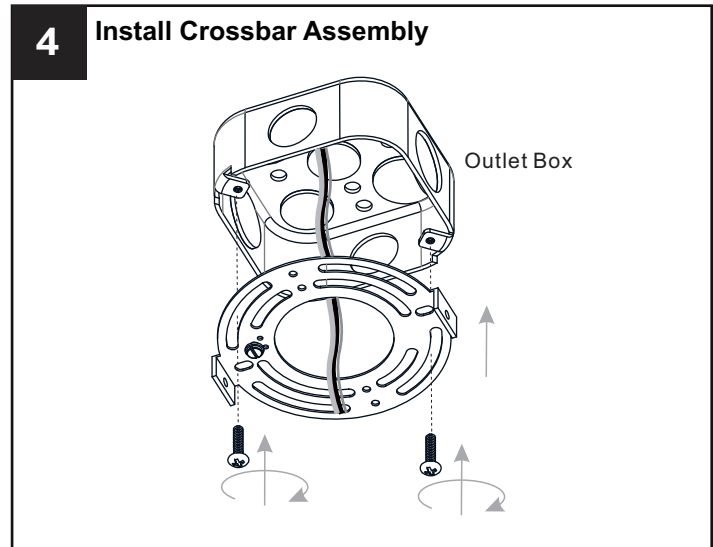
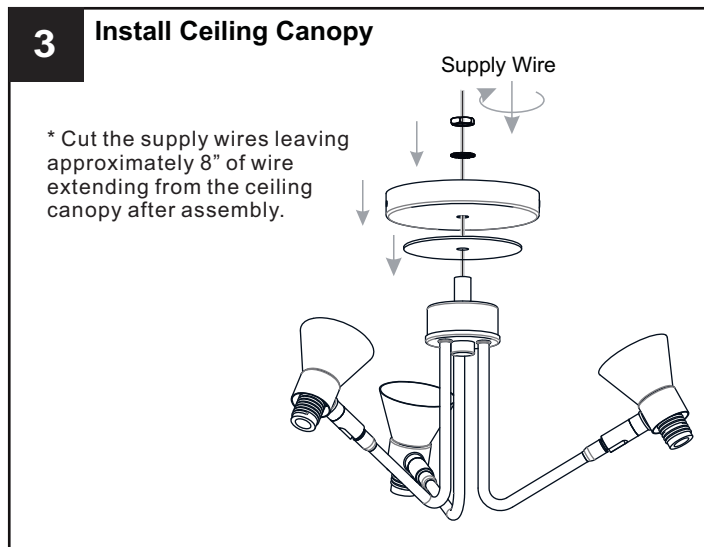
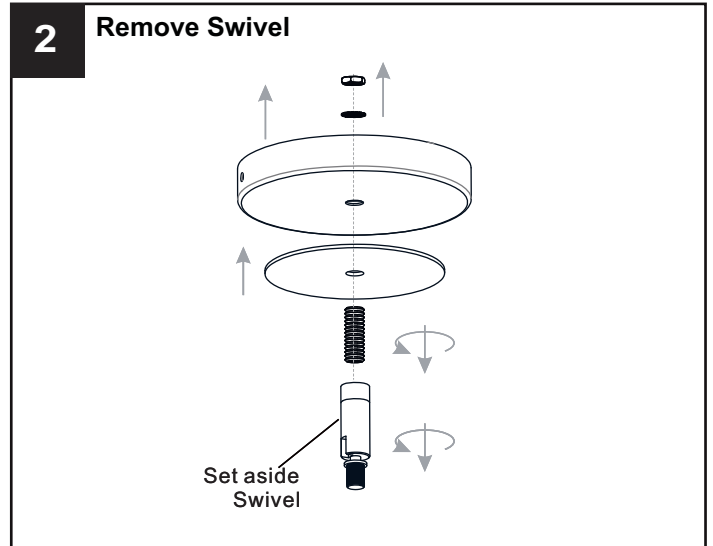
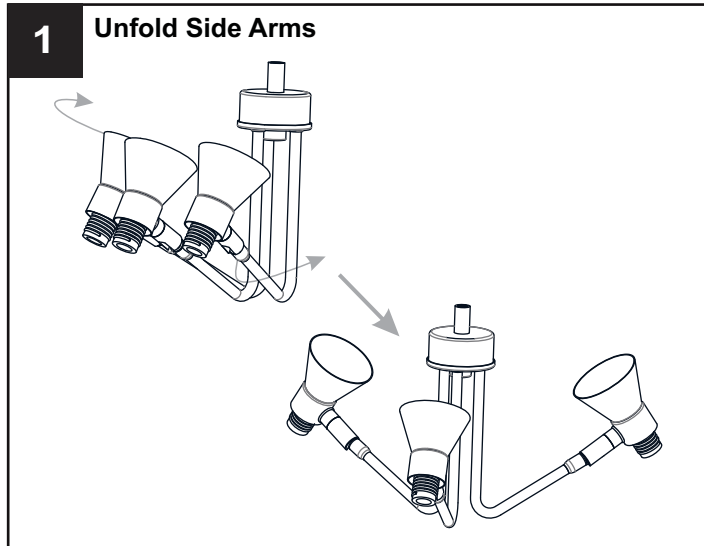
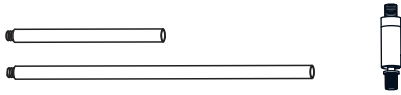
**DD** Outlet Box Screw  
x 2

# INSTALLATION

**IMPORTANT:** This CONVERTIBLE fixture can be mounted as pendant light or semi-flush light. **DO NOT CUT SUPPLY WIRES** if you intend to use it as pendant light.

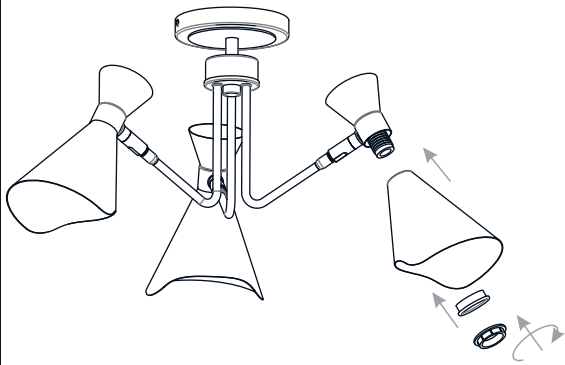
## OPTION 1: SEMI-FLUSH - ADN1726MBK

\* Set aside (2) 6"L Rods and (2) 12"L Rods, swivel since they are not required for the semi-flush installation.

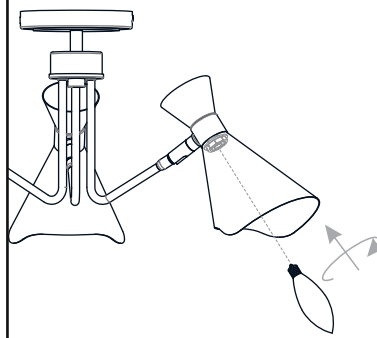


## INSTALLATION

### 7 Install Shades

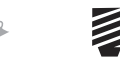


### 8 Install Bulbs



Install three correct bulbs referring to fixture markings and/or labels for maximum wattage.

**Recommended Bulb Type (not included):**

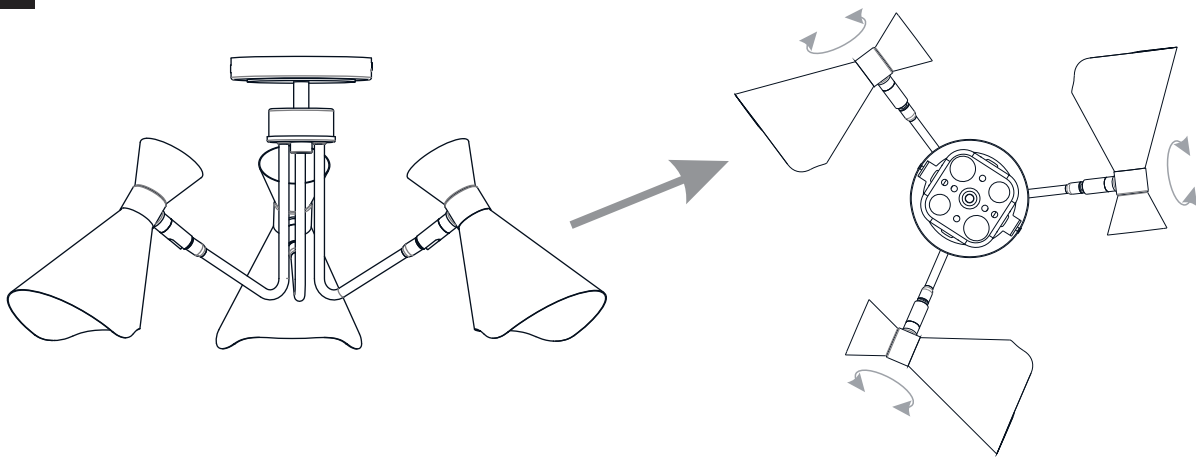


**BULB BASE TYPE**  
Candelabra (E12)



**BULB SHAPE**  
TYPE B

### 9 Adjusting Shade

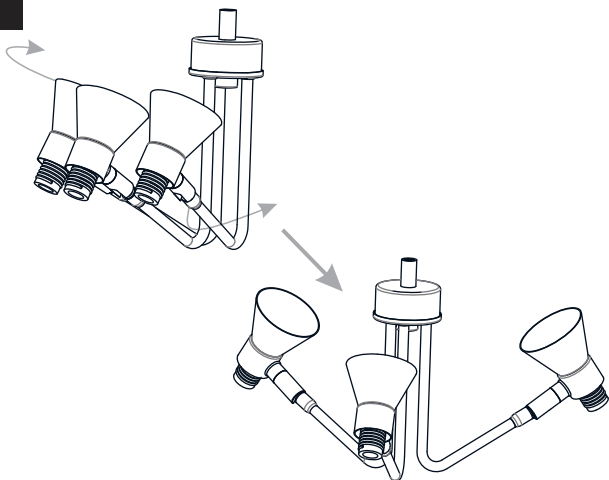


**Your installation is now complete! Restore electricity and save this sheet for future reference.**

## INSTALLATION

### OPTION 2: PENDANT - ADN5026MBK

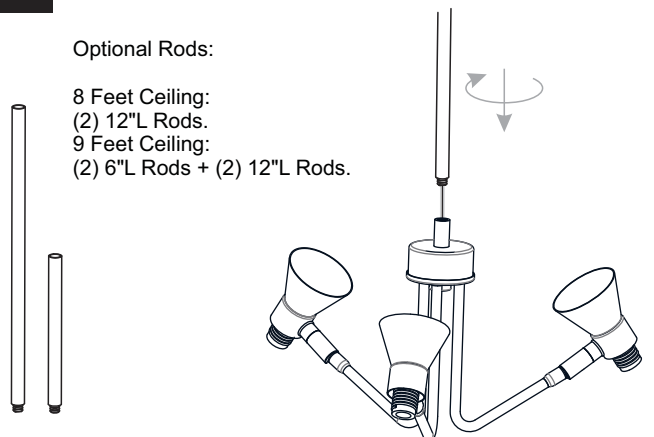
#### 1 Unfold Side Arms



#### 2 Install Rods

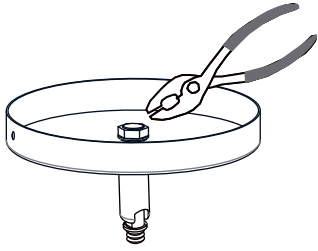
Optional Rods:

8 Feet Ceiling:  
(2) 12"L Rods.  
9 Feet Ceiling:  
(2) 6"L Rods + (2) 12"L Rods.

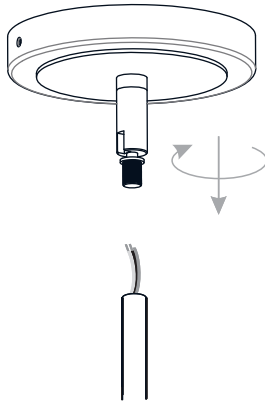


# INSTALLATION

## 3 Tighten hex nut inside of the Ceiling Canopy

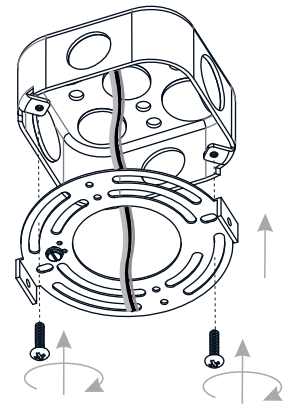


## 4 Install Ceiling Canopy to Upper Rod

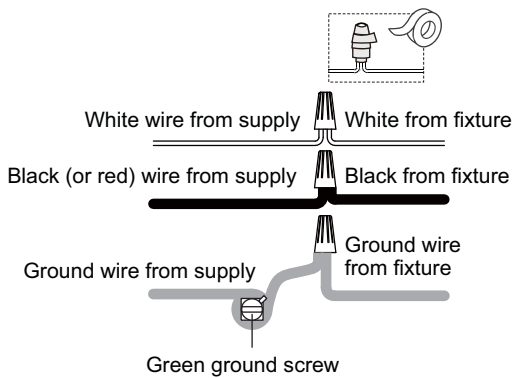


## 5 Install Crossbar Assembly

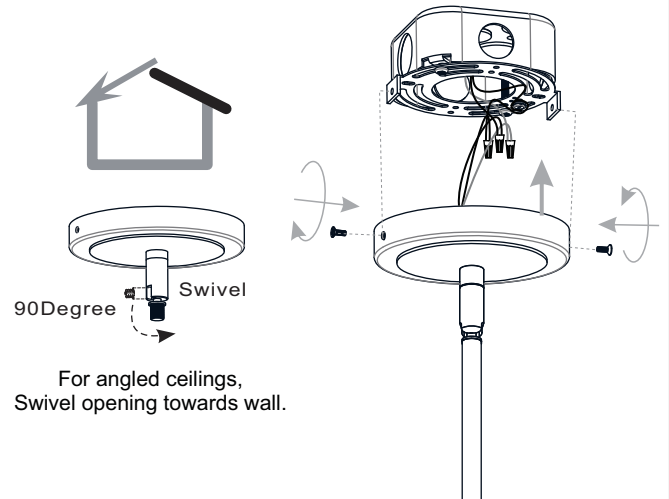
Outlet Box



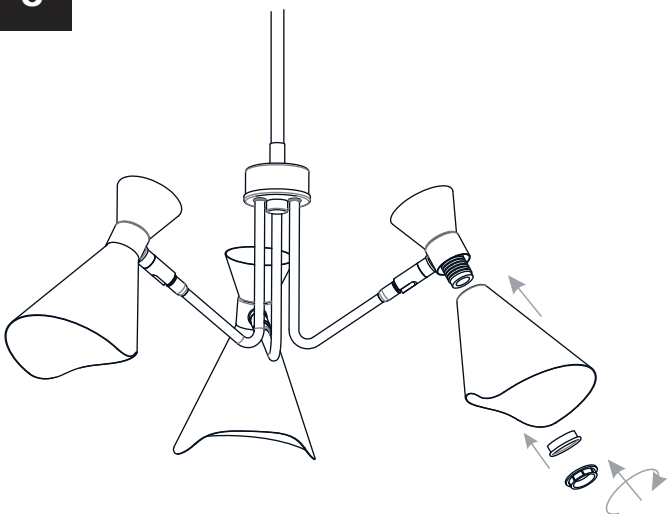
## 6 Wiring



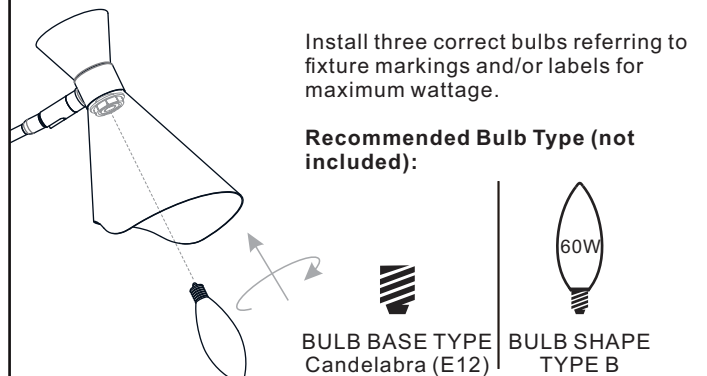
## 7 Install Ceiling Canopy to Crossbar Assembly



## 8 Install Shades

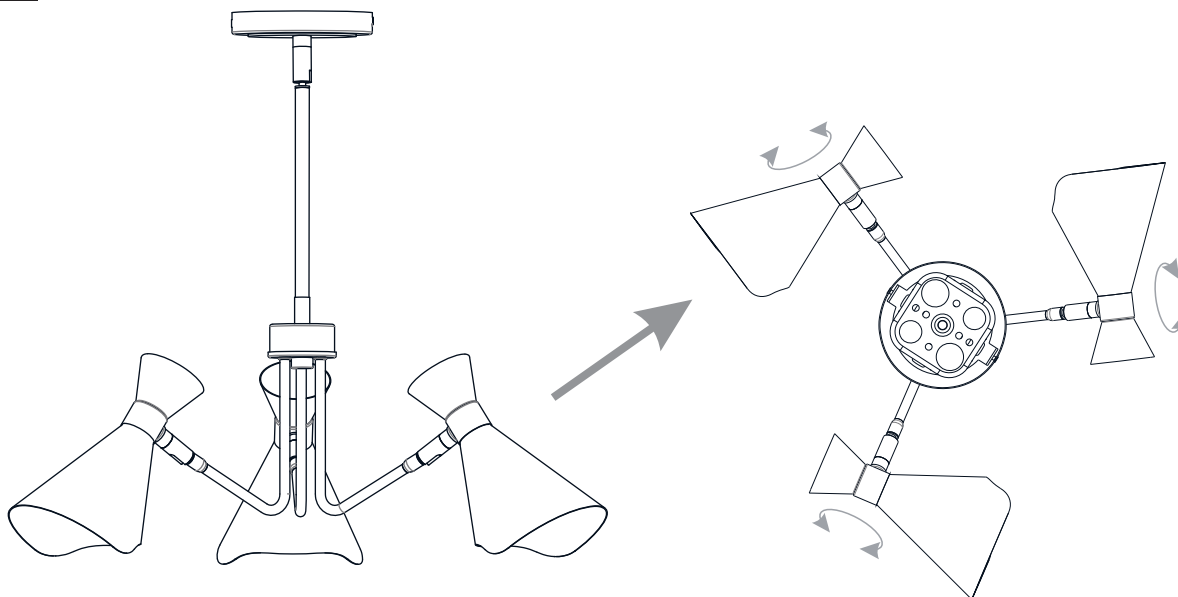


## 9 Install Bulbs



Your installation is now complete! Restore electricity and save this sheet for future reference.

**10** Adjusting Shade



**Your installation is now complete! Restore electricity and save this sheet for future reference.**